

Plans for Kiosk

Revised, Sep-12, 2016

We have built three small kiosks for the Finger Lakes Land Trust in New York State. The kiosks are designed to be low-cost, attractive (in a natural/rustic fashion), functional, long-lasting, and maintenance-free. We also wanted to avoid the use of pressure-treated lumber and manufactured materials to the greatest extent possible so that the kiosks would fit more comfortably in a natural setting. We believe that we have accomplished most of these objectives; time will tell on the “long-lasting, and maintenance-free.”



Figure 1. The kiosk on the FLT at Sweedler Preserve at Lick Brook



Figure 2. The kiosk at Kingsbury Woods Nature Preserve



Figure 3. Kingsbury kiosk with trailhead register box



Figure 4. Kiosk at Bock-Harvey Nature Preserve

About these plans

These are use-at-your-own-risk plans. We cannot be responsible for your results when using these plans.

Drawings are not intended to be scale drawings.

Quantities and descriptions in the bill of materials may be different for your project.

Rough-cut Black Locust?

We decided to build the kiosks using rough-cut black locust lumber. This helped us meet the objectives of a natural, rustic appearance, and avoidance of pressure-treated lumber. Black locust is naturally rot-resistant. (We still find split black locust fence posts from the late 19th century along the Finger Lakes Trail! They are like iron!)

It may be difficult to find black locust cut to the dimensions you need. You will need to hand-select virtually every piece since knots, cavities, and irregular dimensions are common. It is fairly easy to work when it is not well seasoned, but once seasoned, it is extremely hard. You must use carbide cutting tools. You must also pre-drill full length holes for your screws and use soap on the threads to avoid breaking them off. Also, black locust is prone to warping and splitting as it seasons, so it is important that you assemble a structurally sound kiosk with accurate cuts so the pieces mate well. A final treat is that splinters from rough-cut black locust are quite nasty, and some have reported allergic reaction to the fine sawdust. Not to sound too negative, once you have gotten used to working with black locust, you will find it an extremely strong and beautiful wood capable of giving very satisfying results.

Dimensional lumber

If you decide to use dimensional lumber, remember that a 2"×4" measures only 1½"×3½"; you will have to adjust some fastener lengths.

The project

There are three phases to the project.

Selecting the wood

Plan on spending several hours at the sawmill, and probably more than one trip. Make sure that you have gloves, a measuring tape, these plans, and a notebook. Black locust is heavy so don't plan on using a roof rack for all of the lumber in one trip.

Pre-fabrication

This involves building the leg and working rafter sub-assemblies, and cutting all of the remaining pieces. You will want to do this in your shop and will need an accurate miter saw, power drill and appropriate bits. Mark pieces that are fitted together so they can be matched up during construction. Plan on spending 8-10 hours in the shop.

Construction

You will need at least one helper and preferably 2 or 3. Construction will probably take a full day. If the holes and alignment go slowly, you may need part of a second day to finish.

Here is the general order of business:

1. Dig two holes. We try to keep the holes as small as possible using the undisturbed soil around the holes for support and minimizing the amount of concrete or other fill. But don't have the holes so small that you have trouble with alignment. Remember that you may have to move the bottom of the leg as well as the top.
2. Align the legs
3. Attach the ridge beam and the horizontal panel brackets to the legs
4. Fill in the holes
5. Lunch
6. Attach working rafter sub-assemblies to legs and ridge beam
7. Attach bottom roof boards front and back
8. Attach next two roof boards front and back
9. Attach the lazy rafters to the ridge beam and the two roof boards front and back
10. Attach the fourth roof boards front and back, then the ridge cap
11. Finish the panel
12. Finish the ground clean-up

Here is what you will need at the site:

- Two six foot step ladders
- 5' Rock bar
- Wrecking bar or pry bar
- Post-hole digger
- Shovel

- Pulaski or similar for light landscaping
- Loppers for cutting roots in the holes
- Rake
- 4-foot carpenter's level
- Measuring tapes
- Carpenter's square or other squaring tool
- Markers and pencils
- Three or four 1"×3"×12' furring strips for braces
- Two 1"×3"×5' furring strips for braces while aligning the legs
- Several blocks, for example 1"×4"×6"
- Four 24" iron stakes
- Hand sledgehammer, for driving stakes and nudging the alignment
- Claw hammer or framing hammer
- Clamps
- More clamps
- Strong battery powered drill, drill bits, screw driver bits, and extra batteries. You will want two drills for doing the roof, one with a drill bit and one with a screwdriver bit. You can pass them back and forth to two workers.
- Some way to keep the fasteners organized
- 3/8" Drill bit or auger for the carriage bolts.
- 7/8" Spade bit for countersinking the carriage bolts
- Socket wrenches for carriage bolts
- Water for the concrete
- Gloves for all hands
- Eye protection for all eyes
- Hearing protection for all ears
- Plans, notebook, camera
- Optional: Two sawhorses and table top of some sort to keep tools and materials off the ground

In the shop

The legs

The legs are made from girders fabricated (in your shop) from 2"×6", and $\frac{5}{16}$ "×5" lag screws or $4\frac{1}{2}$ " or 5" structural screws. This construction will be almost as stiff as a 6 x 8 without the additional weight or board foot cost. Also, the two pieces will work together to prevent warping in the other piece. Finally, the cutouts for the ridge beam are much easier. (Note that these cutouts are done before the pieces are screwed together.)

The holes for the screws need to be pre-drilled for lag or construction screws, especially if the wood is seasoned. Measure and lay out the location of the screws carefully so that you end up with a nice clean appearance. If using lag screws, first drill a $\frac{7}{8}$ " diameter countersink hole about the depth of the screw head. Then drill a pilot hole about $\frac{1}{16}$ smaller than the screw. If using structural screws, it may not be necessary to countersink the heads. You will probably have to clamp the pieces together to get them to line up since the pieces will undoubtedly have some curvature. Once clamped, drill all of the holes and put in the screws before loosening the clamps.

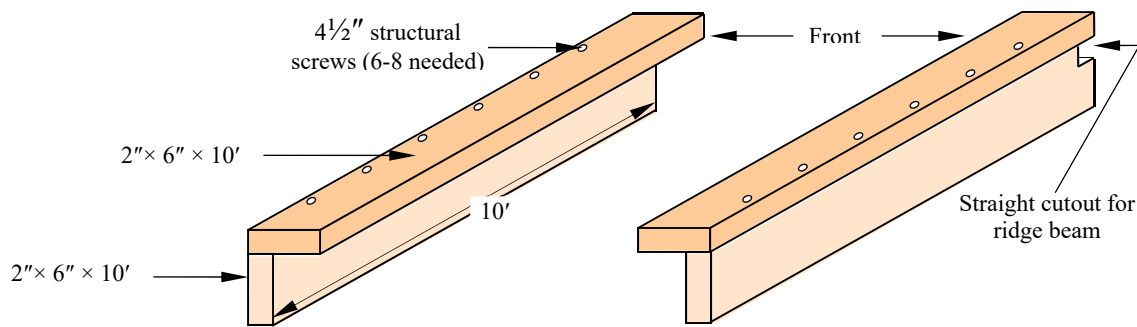
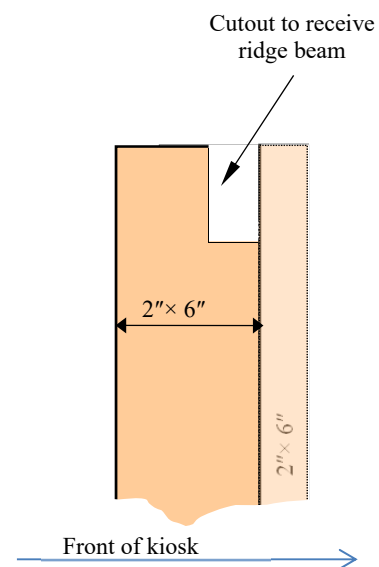


Figure 5. Leg sub-assembly

Make cutouts in the tops of the 2"×6" side leg pieces to receive the ridge beam. These are easy to make with two cuts. The cutout should be 3" deep with the width equal to the thickness of the ridge beam (2" if using rough-cut). Measure the width carefully so that the ridge beam will fit snugly, but not too tight that you will have trouble at assembly time.

As you make the cutouts, remember that the left and right legs are different. The drawing above shows both legs. Pick the best sides (visually) of the leg pieces to face front and to the sides.



The rafters

Cut the four working rafters that will connect from the Ridge to the rafter supports. Start with a 24" section of 2" x 4". Layout the angles and cut them with a miter saw. The miter cuts at the bottom end of the rafter are mainly cosmetic.

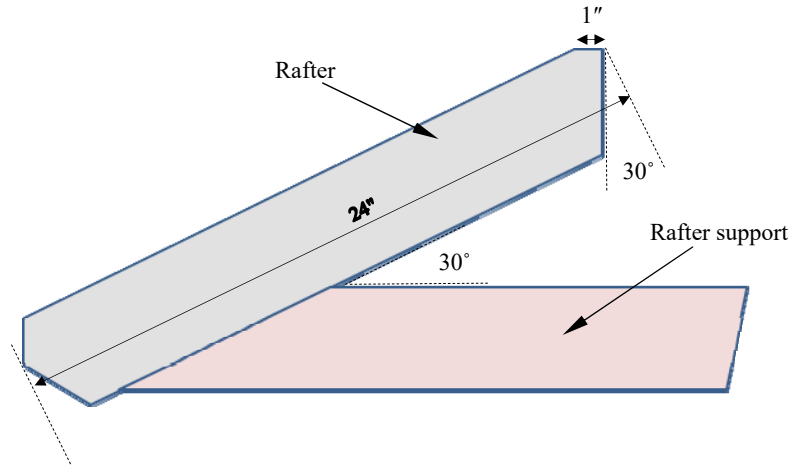


Figure 6. Relationship between rafter and rafter support

The rafter supports

Cut the two rafter supports. Start with a 44" section of 2 x 4 and miter both ends at 60°. The 44" is a rough measurement that may vary depending on the thickness of the ridge beam, miter angles of the top of the rafters, and the vertical distance between the rafter support and the ridge beam (see Figure 11 below). Make a rough layout of the rafters and the simulated ridge beam before cutting the miters. If the rafter support is a bit short, simply raise it up slightly.

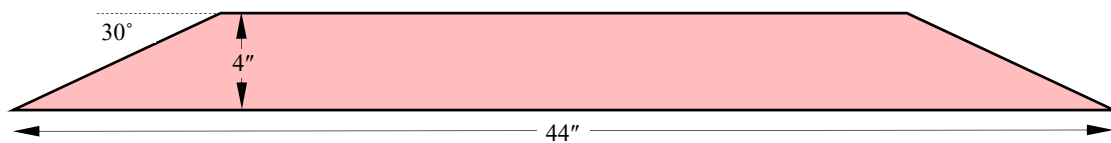


Figure 7. Rafter support

Build the rafter sub-assemblies

In this step, you will build the two rafter sub-assemblies each consisting of two rafters and the rafter support. If you have space in your shop, the best way to do this is with a trial assembly of the kiosk frame. Otherwise you can lay out the sub-assemblies on a piece of scrap plywood as explained in the next section.

Trial Assembly

1. Support the two leg assemblies on saw horses parallel and 4 feet apart. The front side of the legs should face the floor. Support the plywood display panel on clamped cleats (inset below) between the two legs to align the legs as they will be in the final assembly. Use 6-foot pipe clamps (partially visible below) to clamp the assembly together.

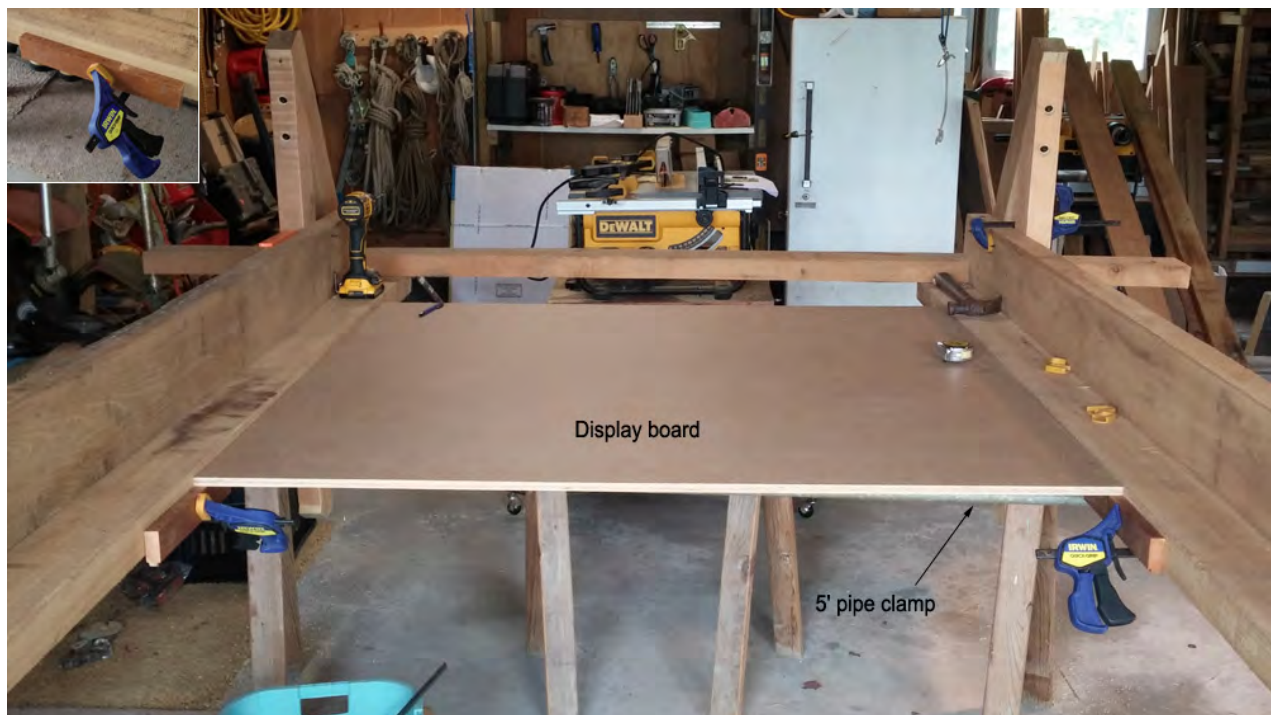


Figure 8. Trial assembly

2. Insert the ridge beam into the cutouts in the top of the legs and center it across the width of the kiosk.
3. Insert a 6" construction screw through the side leg 2"x6" into the ridge beam (shown at right). This is temporary to keep the trial assembly aligned. It will be replaced in the field during installation.

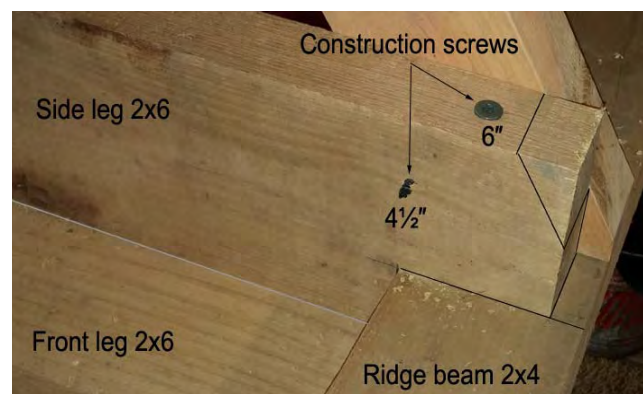


Figure 9. Trial assembly detail

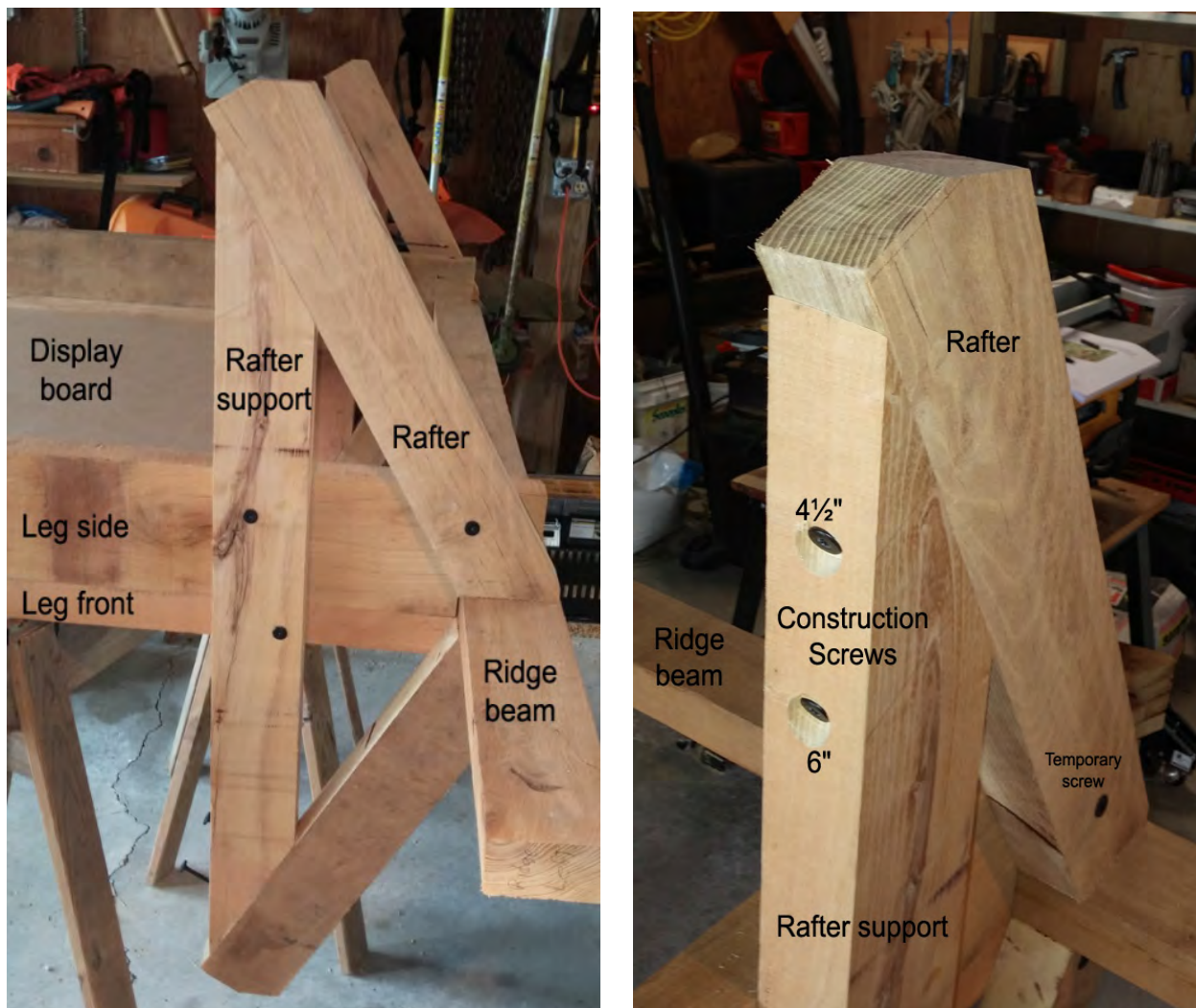


Figure 10. Build rafter sub-assemblies from trial assembly

4. Carefully align the rafters to the ridge beam and leg sub-assembly and clamp in place.
5. Clamp a 4-foot piece of scrap (not shown) between the ends of the rafters to form a rigid triangle.
6. Fit the rafter support between the rafter ends making sure the support is perpendicular to the leg.
7. Clamp the rafter support to the leg.
8. When everything is aligned correctly, drill pilot holes and then drive 4½" construction screws to attach the rafter support and the top of the rafters to the legs. This should now hold the rafters and the rafter support in alignment.
9. Now working from the bottom of the rafter support, drill four countersink and pilot holes at an angle perpendicular to the rafters as shown in Figure 11.
10. Drive the 4½" and 6" construction screws into each end of the rafter support to complete the rafter sub-assembly.
11. Mark the location of the legs on the ridge beam to be used to align the structure in the field. Also mark the top of the leg to be removed as shown in Figure 9.
12. When finished, the screws holding the rafter sub-assembly to the legs and ridge beam can be removed. They will be replaced in the field during installation.

“Breadboard” layout

If you do not use the trial assembly of the kiosk frame in the previous section, you can lay out the rafter sub-assemblies on a small sheet of scrap plywood and do the build there.

1. Lay the two rafters and the rafter support flat as shown below.
2. Lay a short piece 2"×4" standing on edge between them (green below) to simulate the ridge beam. This 2"×4" should be the same thickness (2") as the actual ridge beam. Measure this carefully so that the ridge beam will fit snugly, but not too tight, during installation. Use clamps or screws to anchor the 2"×4" to the plywood.
3. Align the rafters so they fit against the simulated ridge beam as shown. Use screws at the upper end of the rafters to anchor the rafters firmly against the simulated ridge beam. These screw holes will be used to attach the rafter sub-assembly to the leg during installation.
4. Use clamps or temporary blocks (orange) at the lower ends of the rafters to prevent any movement.
5. Then lay the rafter support across as shown below in red. The 44" width of the rafter support was based on the ridge beam being exactly 2" thick. If you have a different thickness, or much variation in your rafters or your angles, you may have to trim the angled ends of the rafter support slightly.
6. After checking that the rafter support is perpendicular to the simulated ridge beam and aligned with the rafters, use clamps or screws to anchor the rafter support to the plywood. The screw holes shown below are used to anchor the rafter support to the leg during installation.
7. Once the sub assembly is aligned, attach the rafter support to the bottom of both rafters using 4½" and 6" construction screws.

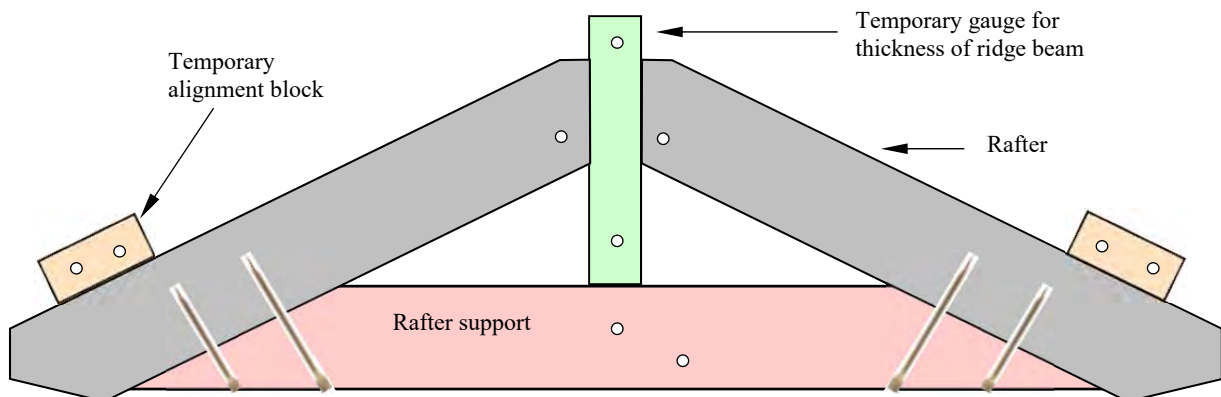


Figure 11. Working rafters sub-assembly

8. Repeat this process for the other end of the kiosk. Remember to match the thickness of the other end of the ridge beam. If there is much variation in your rafters, mark them and the ridge beam once you have them fitted so you can match them up during assembly.

“Lazy” rafters

Cut the remaining six “lazy” rafters in the same way that you cut the 4 working ones. The only difference is that you might consider using lighter weight 2”×4” stock. For example, if you find some that are closer to 1½”×3”, they will work just fine. Their only purpose is to hold the roof boards together; they are not supporting any weight. In fact, they are adding to the weight being supported by the roof boards. Also, the spacers are not needed.

Roof cap

Use the best of the roof boards for the roof cap (¾”×8”×8’). Consider cutting drain grooves the length of the roof cap as shown to prevent rain water from siphoning back under the roof cap.

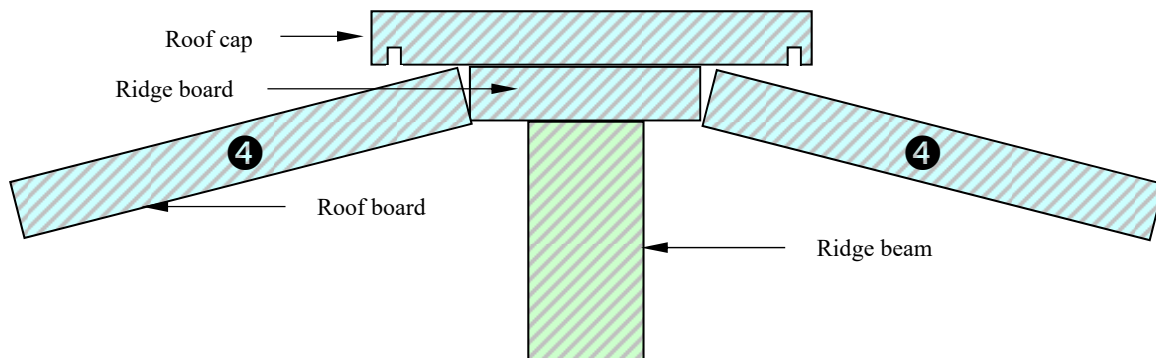


Figure 12 . Roof cap

The display panel

The display panel has overall dimensions of 48" wide and 36" high. It is made from a sandwich of ½" MDO plywood, ½" Homosote Corkboard, and ⅛" clear Lexan.

Both the MDO and the Corkboard are a full 48"×36" inches and can be cut from a 4'×8' sheet. Since both are rather expensive, cut carefully. This will give you material for two kiosks with factory cut sides and leave enough left over for a display panel of 4' by slightly less than 2'. The factory cut sides on the 48"×36" are very useful for squaring up the legs and the panel brackets.

The Lexan should be ordered cut to size and will be approximately 45½"×33½" to allow a ¼" margin on all four sides for the frame. It is best to build the frame first and then measure the exact dimensions for the Lexan. Remember that you need allow a bit more than ⅛" for horizontal and vertical expansion. So for example, if your frame measures exactly 45½" wide, order the Lexan 45¾" wide.

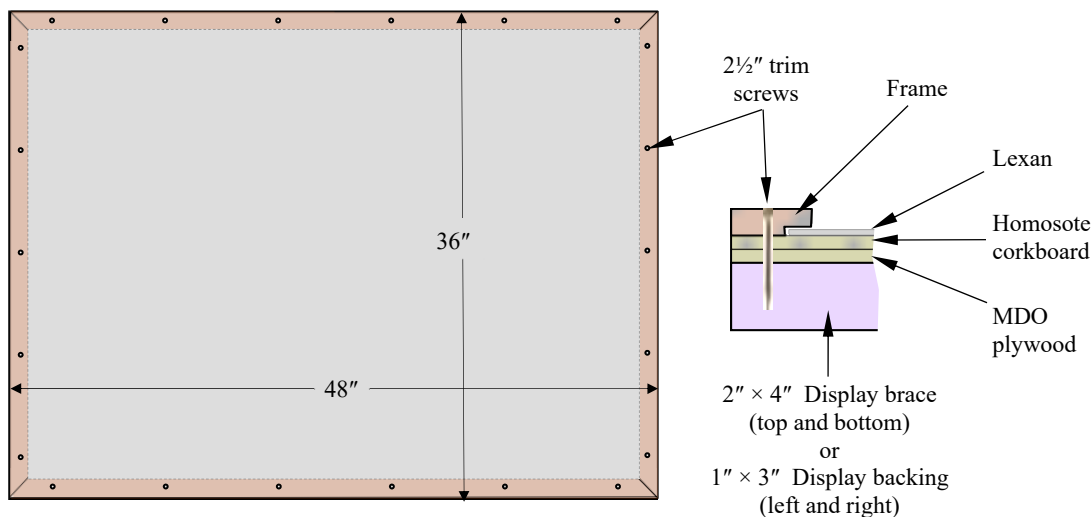


Figure 13. Display panel

Display panel frame

Make the display panel frame from nice straight pieces of 1" x 2" black locust. You will need two 36" pieces and two 48" pieces. Rip both sides to get a width of 1½". Then resaw the top and bottom to get a thickness of ¾".

Cut rabbet grooves along one side of the pieces ½" wide and ¼" deep as shown below. Cut 45° miters on the corners to fit to a frame measuring 36"×48".

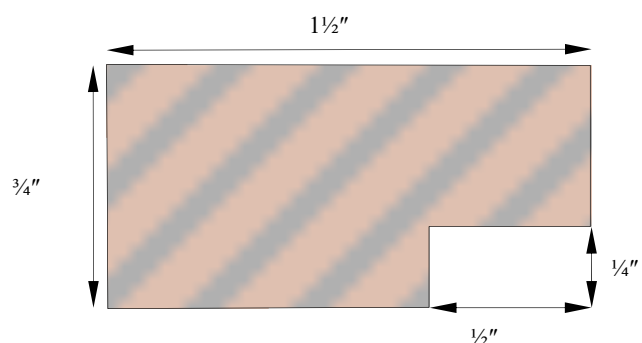


Figure 14. Frame detail

Display panel brackets

There are horizontal brackets at the top and bottom of the display. These are made from two 2"×4"×56" pieces. They should be fairly straight, but can have imperfections on the back side or edges. Cut them a bit long and then trim to exact fit during construction.

You will attach the horizontal brackets to the back of the legs inside the 2"×6" side members of the legs. Use four 3½" deck screws. Use the MDO Plywood panel as a square to make sure that the legs are parallel, vertical, and exactly four feet apart measured from the inside edges of the 2"×6" members. Then trim the horizontal brackets to length and clamp along the top and bottom of the MDO panel. Then drive the screws in the four corners from the back of the kiosk. Note that the horizontal brackets are somewhat structural in addition to supporting the display panel.

The vertical brackets serve only to provide an attachment point for the sides of the display panel. These are made from 1"×6"×28" boards. Cut the boards a bit long and then trim to exact fit during construction.

You will attach the vertical brackets to the back of the legs between the two horizontal brackets. Use 4 or more 2½" deck screws driving them from the back of the kiosk.

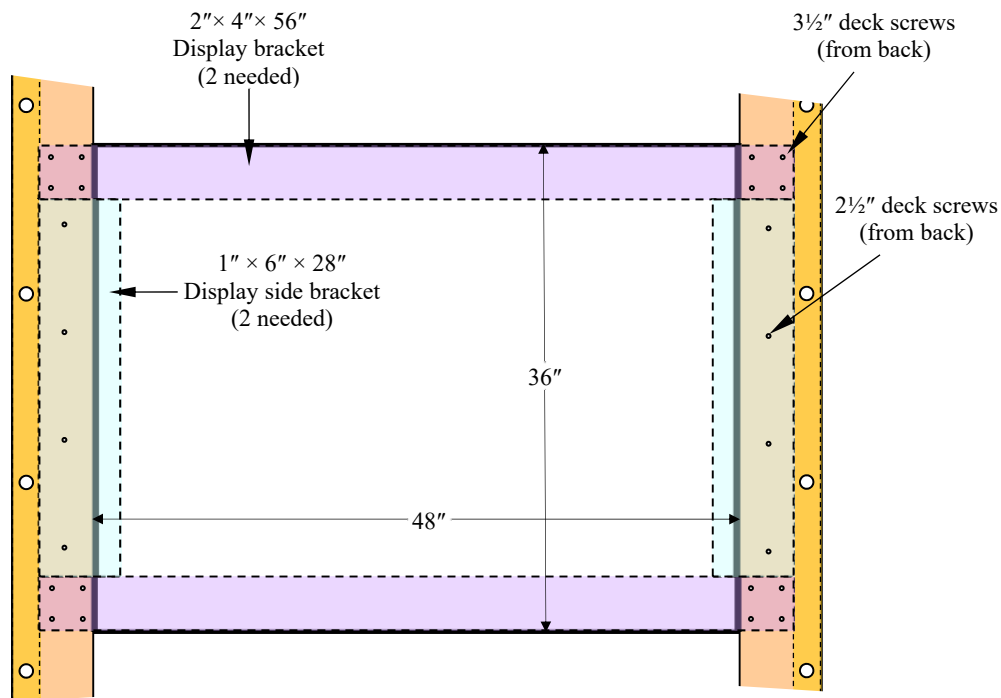


Figure 15. Installing the display panel

On the site

Aligning the structure

The main challenge in building the kiosk is getting the two legs vertical, parallel, and exactly 4' apart as measured from the inside edges of the legs. Additional complications are that the tops of both legs need to be at the same level, and the fronts of the two legs need to be in the same plane (in other words, not twisted with respect to each other).

We have had the best luck with the following sequence:

1. First, try to get bottom of both holes at approximately the same level. Do this by leveling a board between the two holes and then measuring from the board to the bottom of each hole. If you find a slight difference, work with the less deep hole since the other one can be filled in slightly. This will be the first leg. If there is a difference of more than a few inches (for example, you hit bedrock), then work with the deeper hole, planning to cut the bottom off of the other leg. (If you can't get both legs at least 24" into the ground, consider moving to another location.)

1st law of kiosk building: The huge boulder or bedrock will always be found 20" into the second hole.



Figure 16. Aligning the legs

2. Put both legs in their holes.
3. Clamp one end of a 5' furring strip to the front face of the first leg. Then, with both legs approximately vertical, clamp the other end of the furring strip to the other leg. This will make sure that the fronts of both legs remain in the same plane as you align the first leg.
4. Make the first leg accurately vertical using a good carpenter's level. The leg needs to be vertical left and right as well as front to back. Then use 1"×3"×12' furring strips as braces to hold the leg in position. One brace should be anchored well to the side and the other well to the back of the kiosk. Make sure that the side brace is in the plane of the front of the legs and that the back brace is 90° from that.
5. Fit the ridge beam in place between the two legs and use it to level the tops of the legs. Measure any difference and then correct the second leg by filling in its hole or cutting off the bottom of the leg (or deepening the hole) to bring the tops level.
6. Check that the first leg is vertical and aligned in the plane of the front of the legs.

7. Decide on the height of the display panel. Normally bottom of the panel is 3' above the ground. Clamp a block of wood at this height to the inside of the first leg to support the bottom corner of the MDO panel.
8. Clamp a temporary support to the bottom edge of the MDO panel on the other side to hold the weight and keep it horizontal. Use a clamp on the first leg at the top of the MDO panel to keep the panel vertical.
9. With the MDO panel snugly against the first leg (and the first leg well aligned vertically) adjust the second leg using the MDO panel as a guide. This will make the second leg vertical left to right. Use your carpenter's level to get the second leg vertical front to back. You may need to move the bottom or the top to prevent twisting the legs out of the desired plane.



Figure 17. Aligning the tops of the legs (left) and squaring the legs using the MDO panel (right)

10. At this point, the legs should be aligned. Clamp the second leg to braces or to the first leg and MDO panel.
11. Then with the legs aligned, adjust the left to right position of the ridge beam and attach it. Then trim the length of the horizontal panel brackets to actual measurement and attach them. Clamp the horizontal panel brackets to the MDO panel to align them.
12. Finally, fill the holes with concrete mix and water. Give the concrete a few minutes to set up before you begin working on the roof, and work carefully so as not to disturb the alignment until the concrete is well set.

Some people like to pre-mix the concrete and pour it wet into the holes, while others pour the concrete mix in dry and then add water into the hole. Others pour water into the bottom of the hole and then add dry concrete mix. Check out the quick-set concrete mix

that is formulated for this technique; but be aware that it does set very quickly and you will not have much time to correct any alignment problems.

Some people prefer rocks, gravel, tightly packed soil, or rock dust rather than concrete to anchor the legs.

The Roof

Position the ridge beam in place and secure with 4" deck screws through the front member of the leg assembly.

Fit the rafter sub-assembly into position on the outside of the leg assembly. Align the tops of the rafters with the ridge beam and make the rafter support level. Clamp the rafter support to the leg. Repeat for the other rafter subassembly.

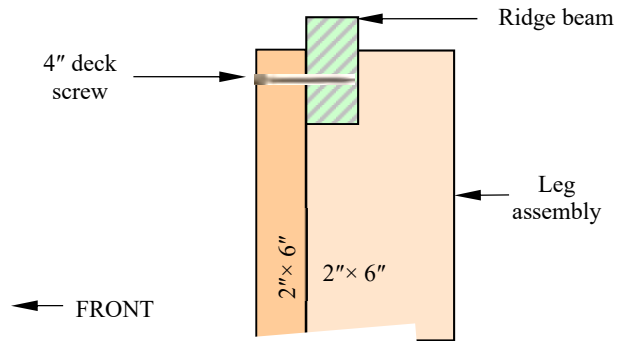


Figure 18. Install the ridge beam

When rafter subassemblies are aligned, tighten the clamps and insert 3½" deck screws through the top of the rafters into the legs. Drill the holes for the two carriage bolts. Countersink the nuts. Insert and tighten the carriage bolts. Finally, put two 4" deck screws through the top of the rafters into the ridge beam. Note where these screws are so you don't hit them when attaching the roof and the ridge cap.

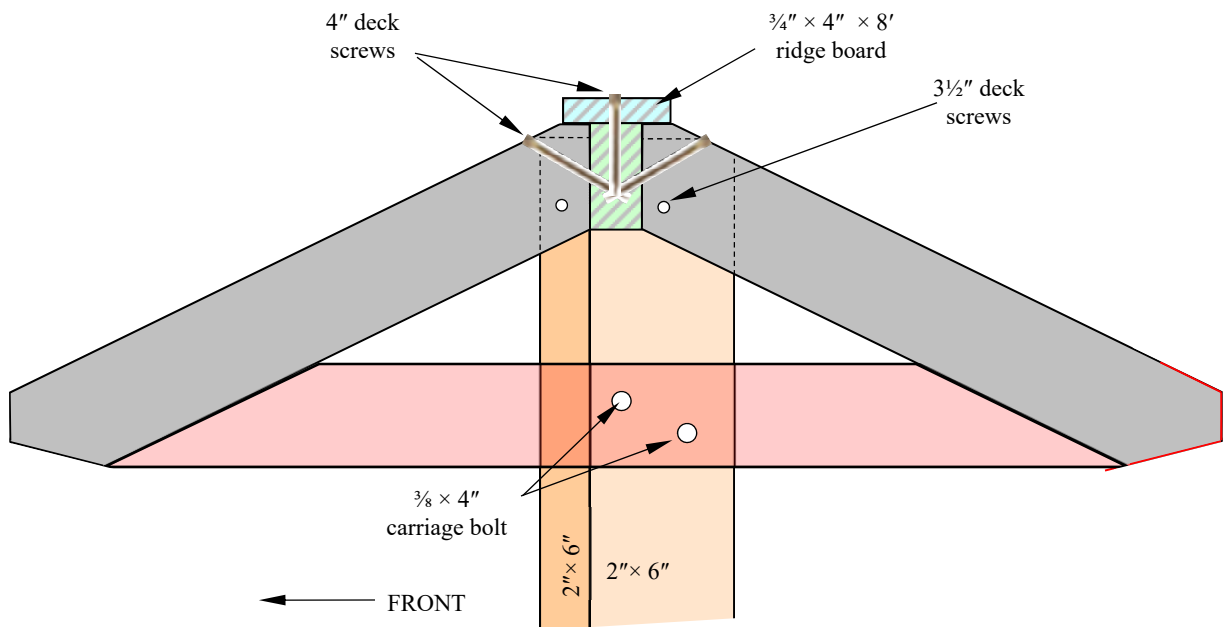


Figure 19. Install the rafter sub-assemblies

Attach the ridge board to the ridge beam using two 4" deck screws. Drive the screws between the rafter locations so they don't interfere with the other screws.



Figure 20. Roof construction

Start the roof at the bottom by clamping the #1 roof board (Figure 21) to the two front rafters. Then drive a 4" deck screw through the roof board into the rafter. Attach the #1 board to the back rafters in the same way. This will prevent the ends from twisting as you build the roof.

Then do a rough layout of the next three roof boards in the front and back. You want the overlaps to be about the same and the top roof board snug up against the ridge board. Mark the position of the boards and then work from the bottom up by clamping the #2 board to the two end rafters, and then securing with a 4" deck screw. Do only #2 board front and back now; you will do the #3 and #4 boards front and back after the lazy rafters are in place. **IMPORTANT:** Drill pilot holes for all roof board screws and drive the screws for boards #2, #3, and #4 near the contact point with the board below and the rafter (screw locations shown in red below will cause the roof boards to split).

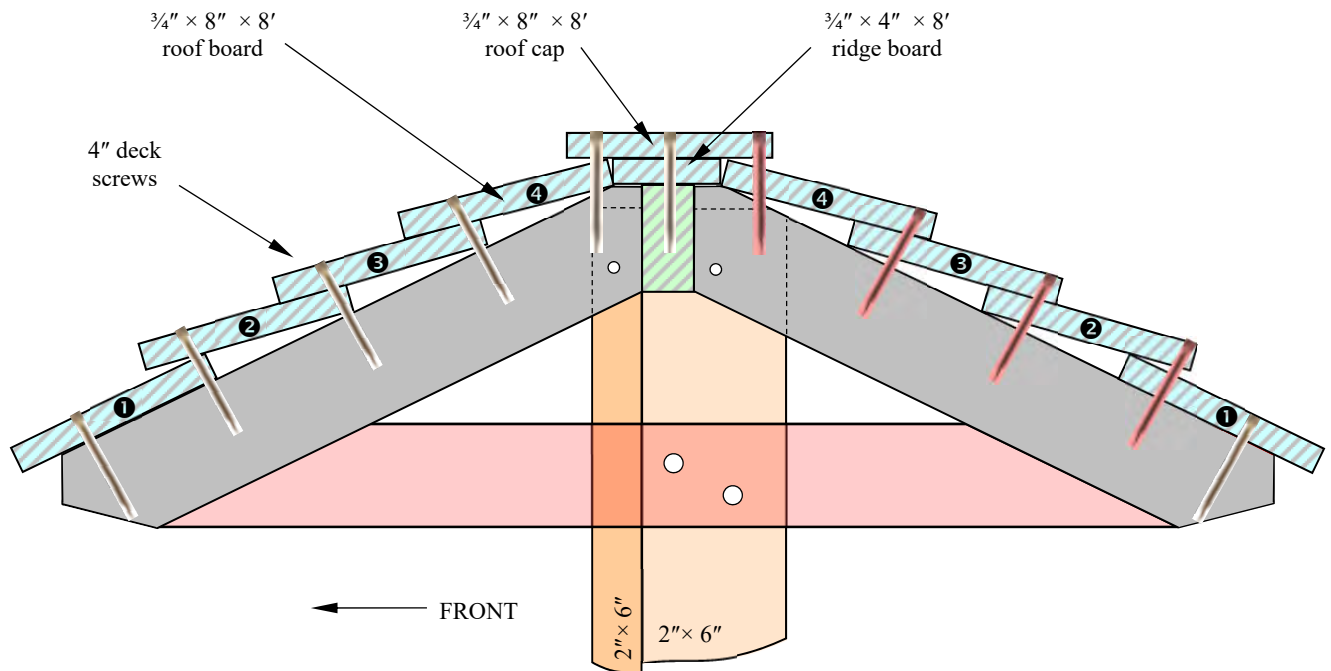


Figure 21. Attaching roof boards

Clamp the lazy rafters to the #1 roof board and align the upper end with the ridge beam. Secure the lazy rafter to the ridge beam with a 4" deck screw (see Figure 19 for screw location). Then with the clamp still in place, drive the 4" deck screws through the #1 and #2 roof boards into the lazy rafter. Repeat for all of the lazy rafters.

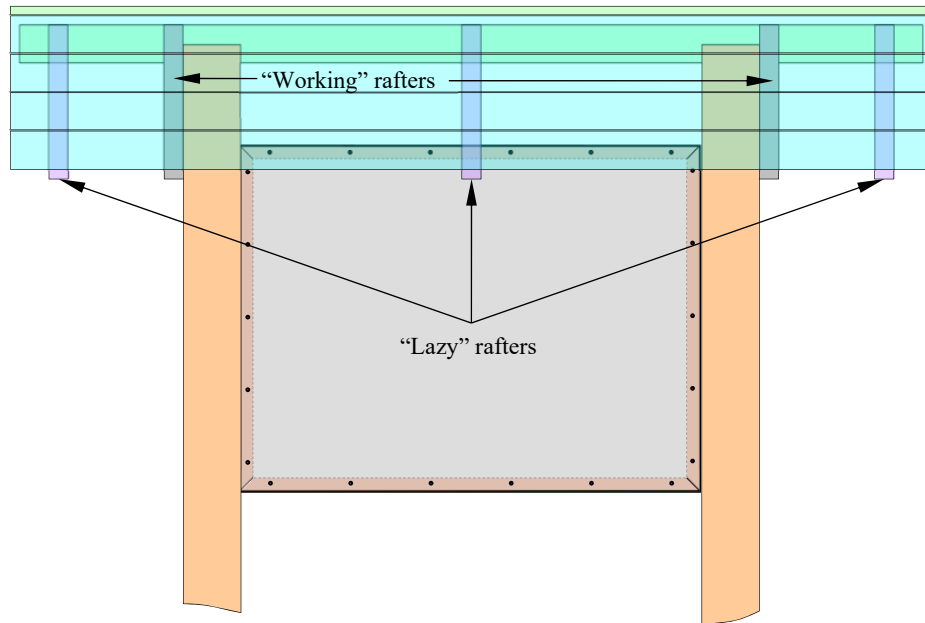


Figure 22. Attaching "lazy" rafters

To complete the roof, attach the third and fourth roof boards front and back, and then screw the ridge cap down through the ridge board into the ridge beam. Use five 4" deck screws along the length of the ridge, offset slightly from the rafters to avoid interfering with the other screws already in place.

Attach the $\frac{3}{4}$ " \times 4" \times 8' roof cap by driving several 4" deck screws down into the ridge beam.

Roof tips

Before attaching the roof cap, consider cutting drip grooves as shown in Figure 12. On one kiosk we had a slight problem with water siphoning back under the roof cap that this should prevent.

If there are gaps between the roof cap and the #4 roof board or any other potential leak spots, you can also use some high quality silicone caulking.

Several kiosks have been built with this plan with a more conventional roof of flat boards, membrane, and cedar shingles. This adds a bit to the cost and gives the kiosk a somewhat less rustic look. The roof cap is not used.

Maintaining the Display panel

You will need to instruct the person responsible for the content of the display panel, and provide them with the proper driver for the trim screws. Here is how to remove the Lexan: Remove all of the screws from the vertical frame piece on the right side of the panel. Remove the frame piece and set it aside. Slide the Lexan sheet slightly to the right so that it is free from the left side frame piece. Then lift the horizontal center of the Lexan away from the corkboard to buckle the sheet enough to free it from the top frame piece. You can then remove the Lexan sheet and carefully set it aside. Reverse the process after changing the content. An office stapler is probably the best way to attach paper to the cork board. Hopefully, it should not be necessary to laminate the content.

Kadillac Kiosk

The kiosk shown below was professionally designed and was constructed and installed using similar techniques to those described above. The kiosk features two professionally printed panels and a bulletin board display panel (not completed in this photo) for display of changing content. The roof is flat boards, membrane, and cedar shakes. The vertical posts are 6" x 6" black locust.



Figure 23. Kadillac Kiosk at Roy H. Park Nature Preserve South Parking Area

Hemlock Kiosk

This kiosk was built using 6"×6" Black Locust for the six posts that are in contact with the ground. The remainder of the structure was made using rough cut Hemlock.



Figure 24. Hemlock Kiosk at the Roy H. Park Preserve North Parking Area

Bill of materials

The following is an approximate list of materials needed for this project. You may adjust quantities and dimensions as needed. Also, use your own judgement and preference for quantity and style of fasteners.

Quantity	Item	Description
4	2"×6"×10'	Leg fronts and sides. Should be full 2"×6". Should be as straight as possible with 3 good edges for 7½ feet of length. The end to be buried can have defects.
1	2"×4"×8'	Ridge beam. This should be straight with square edges.
4	2"×4"×24"	Working rafters. Should be full 2"×4". Plan on cutting from 8-footers if you can get 3 or 4 good pieces. It helps if these are fairly similar and consistent in width and thickness, with straight, square edges.
6	2"×4"×24"	Lazy rafters. Can be same as above, but lighter weight (for example, 1½"×3½") and some variation is OK. Cut from 8-footers.
1	1"×4"×8'	Ridge board. This should be straight with square edges.
9	¾"×8"×8'	Roof boards. If possible, get these cut to order rather than using full one-inch thick rough cut. This will reduce the weight of the roof. There can be some imperfections on the edges since there is 1½" - 2" of overlap. But there should be no holes in the middle. Some warp is OK since these will be screwed down, but the edges should be fairly straight. There can also be some variation in width as long as you plan for it. Save the best ones for the ridge cap and the bottom front.
2	2"×4"×5'	Horizontal display brackets. These are out of sight in the back and can have some imperfection. Square one end in the shop and then cut to exact length during assembly.
2	1"×6"×30"	Vertical display brackets. These are out of sight in the back and can have some imperfection. Square one end in the shop and then cut to exact length during assembly.
2	1"×2"×8'	Display frame. You will rip these to 1½" and resaw to ¾" thick and then cut 48" and 36" pieces. These want to be straight and uniform so you end up with a nice looking frame to hold the Lexan. If you find a single nice 1"×4"×8' you could use that instead.
1	48"×36" MDO Plywood	This is waterproof, but it wouldn't hurt to paint the back side.
1	48"×36" corkboard Homosote	Keep this protected until final assembly.
1	45½"×33½"×⅛" Lexan	There are two inferior grades between Lexan and "plexigrass" which might work, but Lexan is preferred for strength (pretty much unbreakable) and no discoloration.

Quantity	Item	Description
12	$\frac{5}{16}$ "x5" galvanized lag screw	For attaching the front and side members of the leg sub-assemblies. Comparable structural screws could be used, for example, 4½" Headlok screws.
4	$\frac{3}{8}$ x4" galvanized carriage bolt	Attach rafter support to legs, two at each end.
8	2½" deck screws	Attach vertical panel brackets from back into 2 x 6 leg fronts. 8 are needed.
20	3½" deck screws	Attach top of rafters to leg assemblies, one through front rafter into 2 x 6 and one through back rafter into 2 x 4. 4 needed Attach horizontal panel brackets from back into 2 x 6 leg fronts. 16 are needed.
59	4" deck screws	Attach ridge beam to leg assemblies, one through 2 x 6 into front of ridge beam and one through 2 x 4 into back of ridge beam. 4 needed. Attach ridge board to ridge beam. 2 needed. Attach roof boards to rafters. 50 are needed. Attach ridge cap through ridge board into ridge beam. 5 are needed
22	2½" stainless trim screws	Attach frame though Homosote and MDO plywood to 1 x 6 vertical bracket on sides and 2 x 4 horizontal brackets top and bottom.
3-4	40 lb. concrete mix	Consider the quick-setting mix.

Roger Hopkins
Ithaca, NY
roger@naturalhighs.net

Sweedler: Thanks to Betsy Darlington (inspiration), Tom Brown (black locust), Dave Schurman (clamps, garage, and advice), Gary Mallow (encouragement & sweat), Will Hopkins (concrete & counsel), Carl Leopold (appreciation)

Kingsbury: Thanks to Chris Olney (make it happen), Sheila Kingsbury (site), Tom Brown (black locust), Dennis Baldwin (Eagle Scout in waiting) and comrades, Baldwin/Costich family (pizza, transportation, impossibly tall and heavy step ladder, immeasurable help)